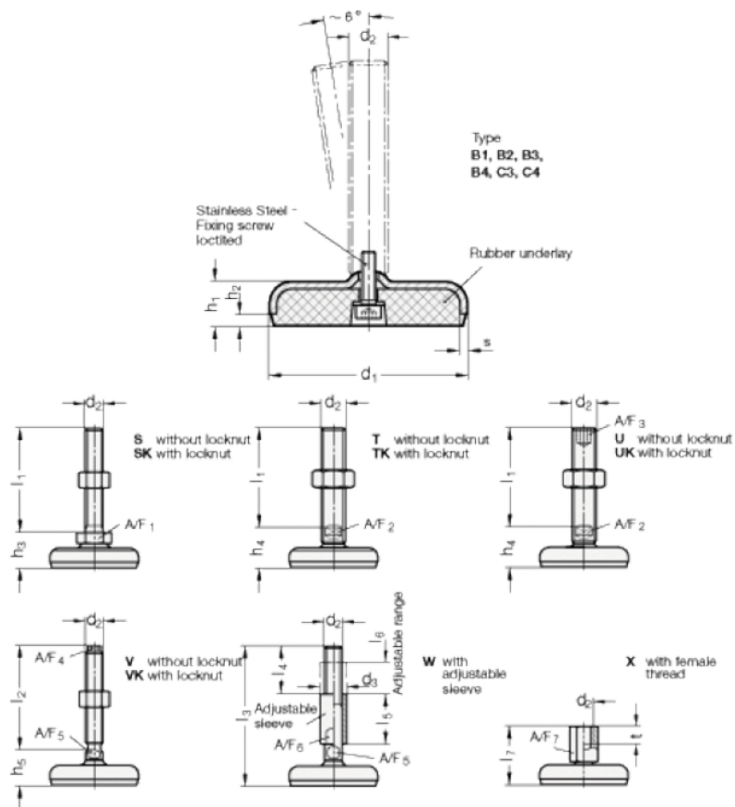


Article number: 2031100M1080B4S

Description: E+G levelling foot
GN 31-100-M10-80-B4-S

Note: S Without nut, External hexagon at the bottom

Measures



A/F1-	= 17
d1	= 100
d2	= 10
h1	= 20
h2	= 6
h3 +4.0/0	= 28
l1	= 80
s	= 3